



# TMAX-1335-XXX-M Molded Power Inductor

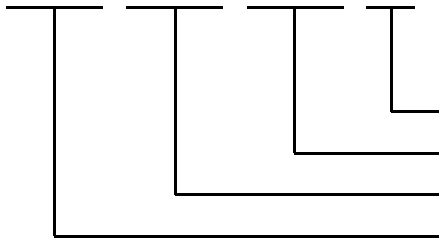
## Features

- 
- 
- 
- 
- 
- 

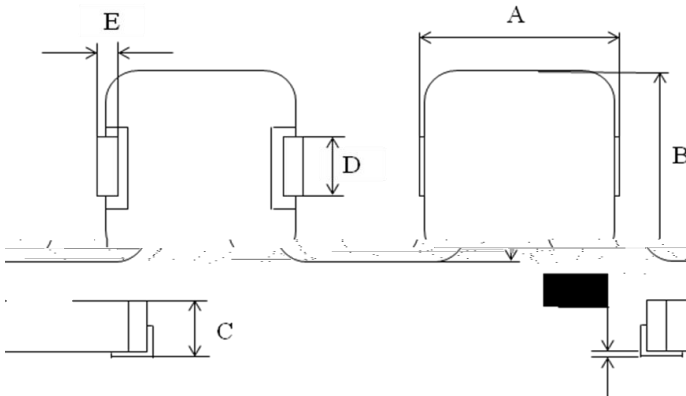
## Applications

- 
- 
- 
- 
- 
- 

## Product Description



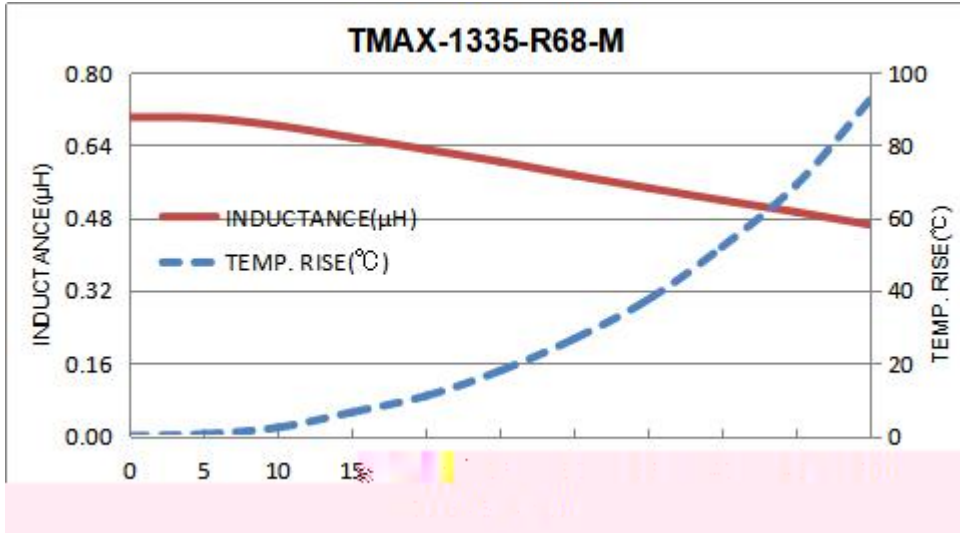
## Dimensions



	<b>13.8Max</b>
	<b>12.7±0.2</b>
	<b>3.5 Max.</b>
	<b>3.7±0.5</b>
	<b>2.3±0.5</b>
	<b>0~0.20</b>

**TDG HOLDING CO., LTD.**

**Inductance and Temperature Rise vs. DC Current**



**Reliability:**

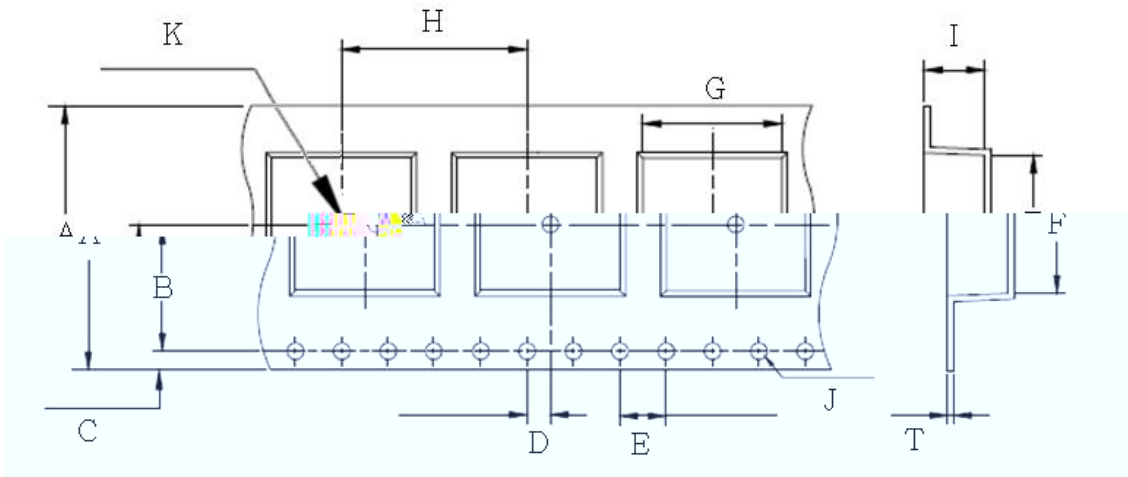
Item	Test Method	Specification and Requirement
	± ±      ±	
		±



---

**Reliability:**

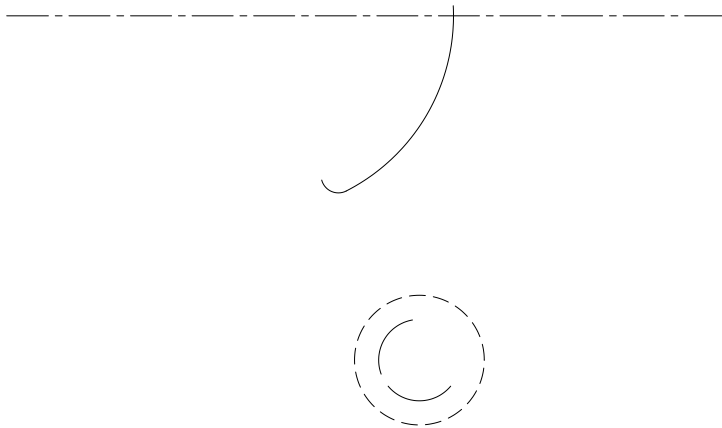
**Packaging Dimensions**



±	±	±	±	±	±
±	±	±	±	±	±

**Reel Dimensions**

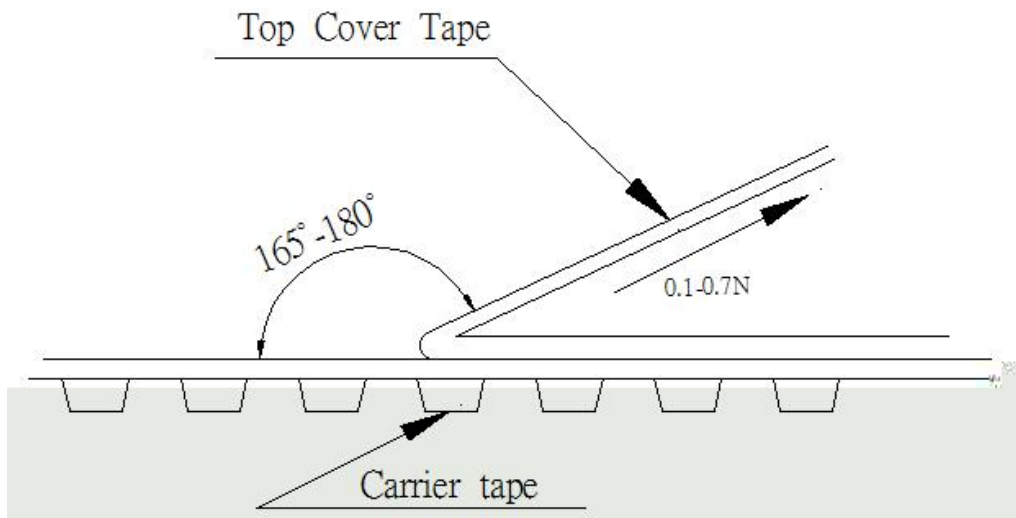
±	±	



---

**Peeling of top cover tape**

- 
- 







---

**Numbers of taping**

- 

**Label marking**

- 
- 

**Production Label**

- ✓
- ✓
- ✓
- ✓
- ✓

**Shipping Label**

- ✓
- ✓
- ✓
- ✓
- ✓

**Care note for use****➤ Storage Condition****➤ Use Temperature**

- ✓
- ✓
  
- ✓
- ✓

**➤ Model****➤ Drop**

---

**Care note for Safety**