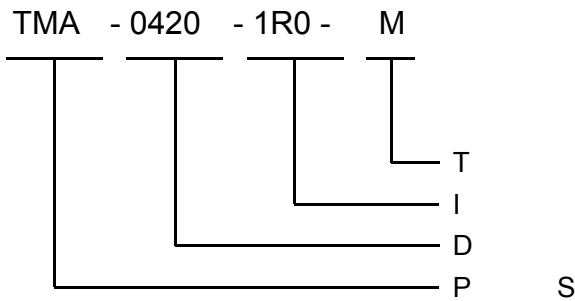
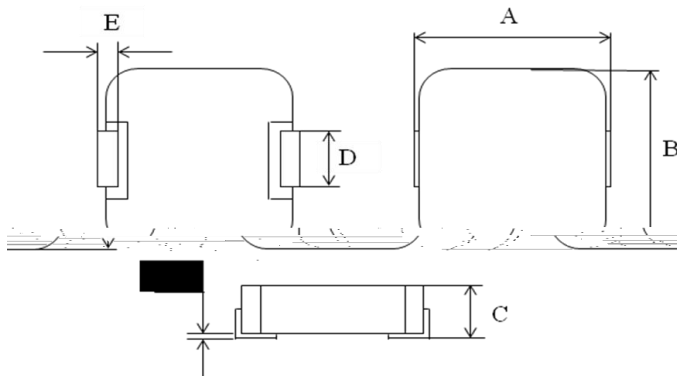


- L
- L DCR
- H
- H (I)
- R HS H F
- L EMI

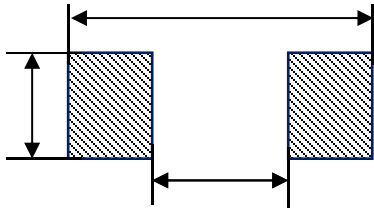
- / R M
- DC/DC
- T -
- G
- L PC
- SSD



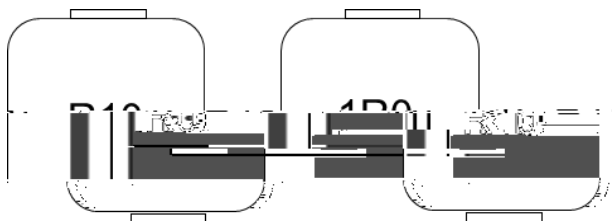
M= 20%
1R0=1.0 H



| | |
|---|--|
| A | |
| B | |
| C | |
| D | |
| E | |
| F | |

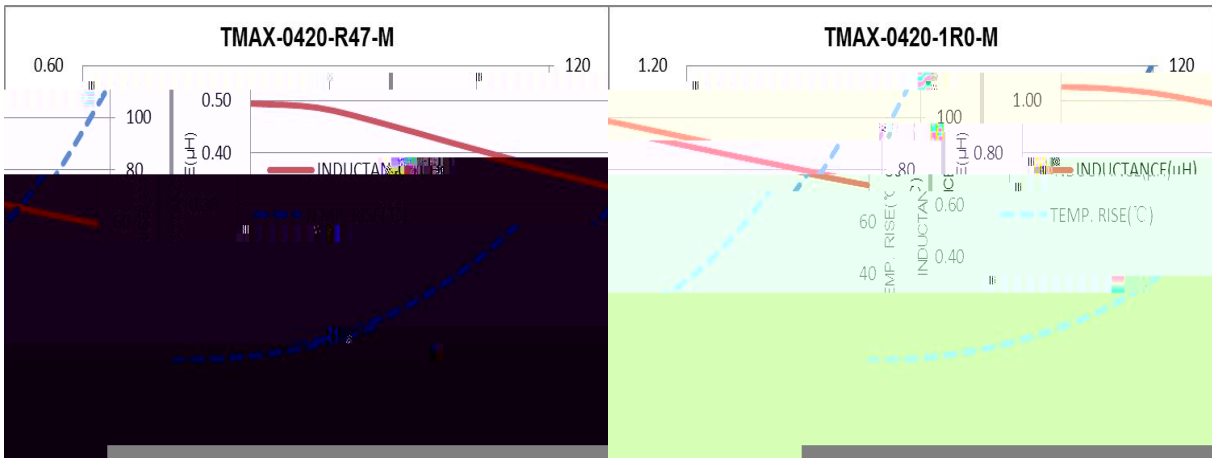
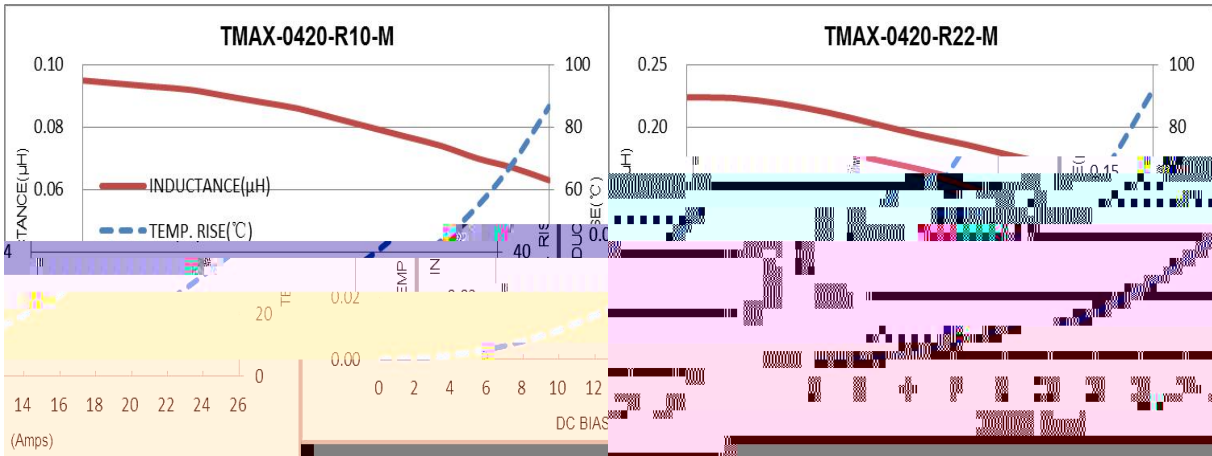


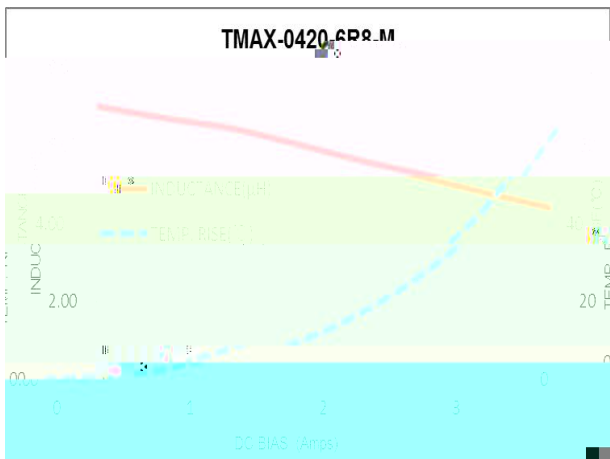
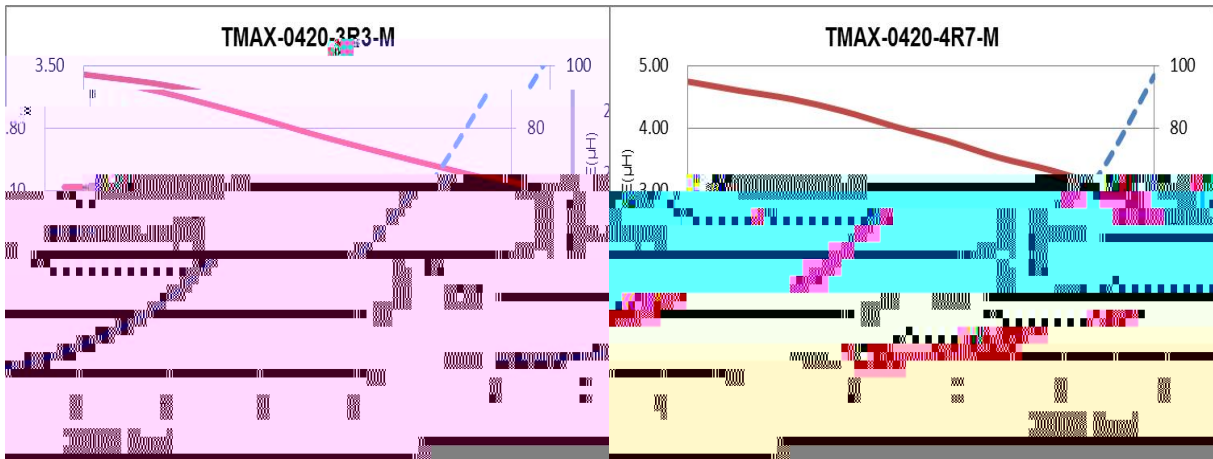
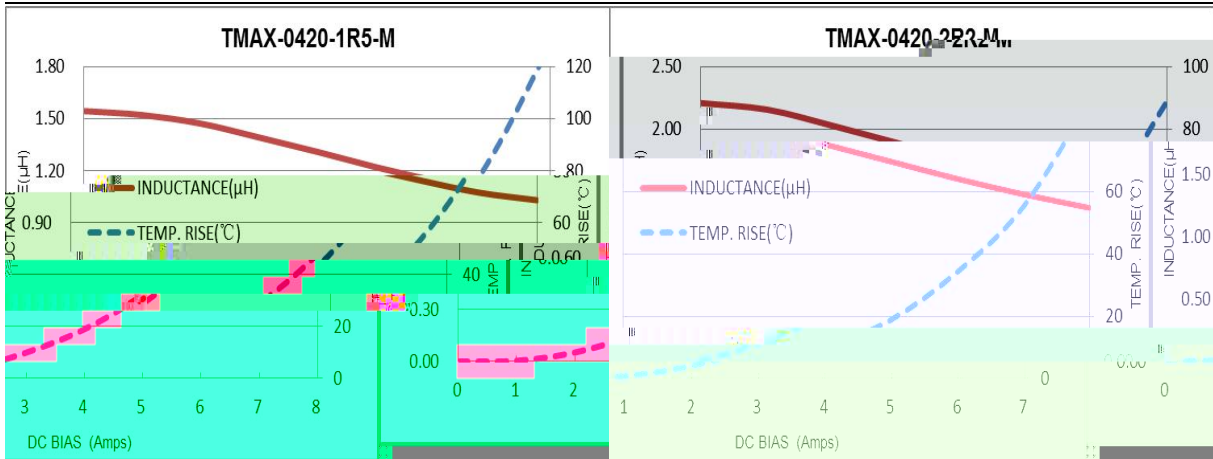
- T
- F : 1R0 1.0 H, R10 0.1 H.




| | $L_0(\mu\text{H})$ | T | T . | M . | S | |
|-----------------|--------------------|-----|------|-----|---------|-----|
| | | | | | C | |
| | | | | | I (A .) | |
| | | | | | T . | T . |
| TMA -0420-R10-M | 0.1 | 20% | 3.1 | 4.0 | 25 | 12 |
| TMA -0420-R22-M | 0.22 | 20% | 5.8 | 6.6 | 16 | 11 |
| TMA -0420-R47-M | 0.47 | 20% | 12.5 | 14 | 9.5 | 7.5 |
| TMA -0420-1R0-M | 1.0 | 20% | 20 | 26 | 7.0 | 5.0 |
| TMA -0420-1R5-M | 1.5 | 20% | 38 | 46 | 6.0 | 5.0 |
| TMA -0420-2R2-M | 2.2 | 20% | 45 | 58 | 5.0 | 4.5 |
| TMA -0420-3R3-M | 3.3 | 20% | 76 | 87 | 4.0 | 3.2 |
| TMA -0420-4R7-M | 4.7 | 20% | 92 | 105 | 3.0 | 3.0 |
| TMA -0420-6R8-M | 6.8 | 20% | 125 | 150 | 2.8 | 2.5 |

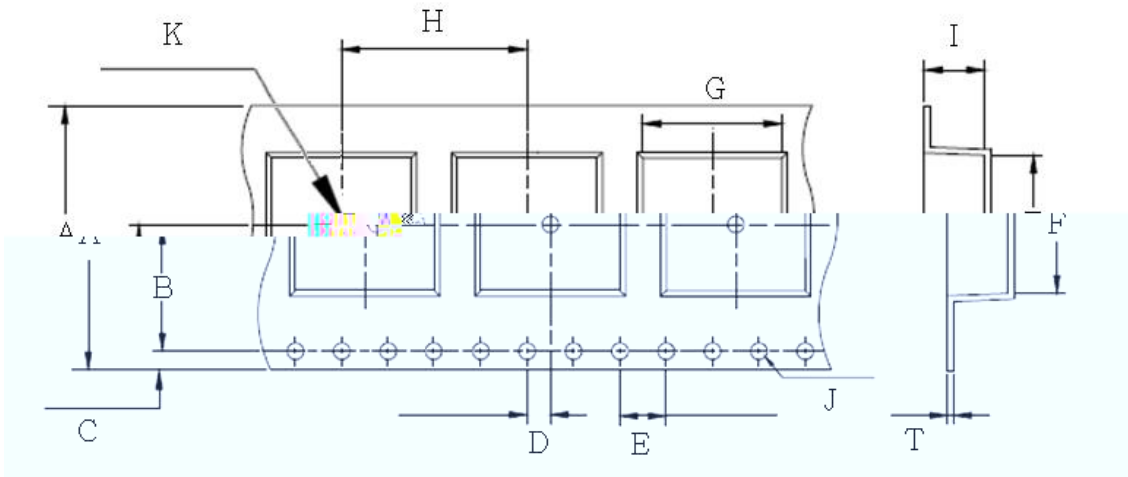
1. A 23 3 C 45%RH 70%RH .
2. T I : 3260B LCR M , 3265B B C S (100 H , 1), EUCOL-U2516B
DC L
3. O - 55 C + 125 C (+ - .) .
4. I : DC (A) L_0 30 %.
5. I : DC (A) T 40 C.
6. T (+ .) 125 C
. C , , P B
. P
7. T





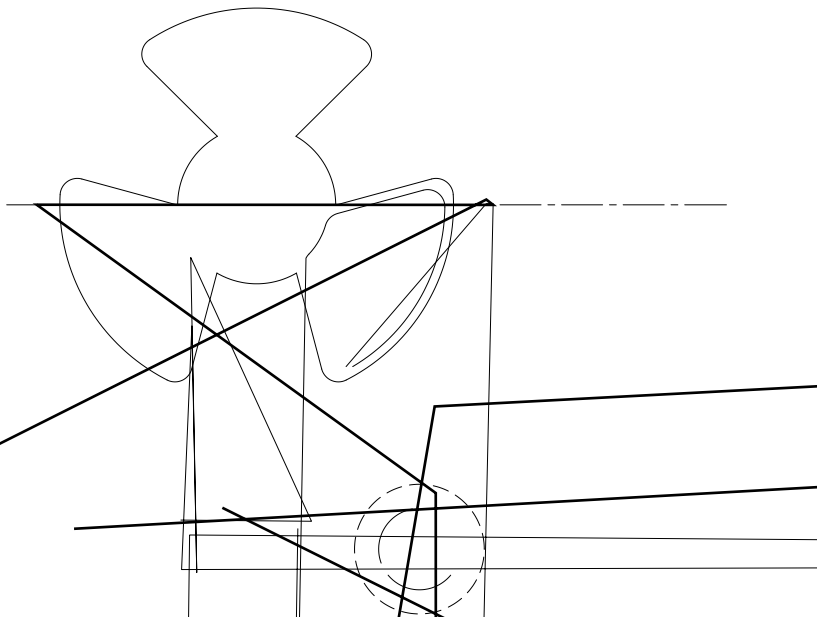
| | | |
|---|--|----------------------------|
| | | |
| S | <p>S :</p> <p>1.P : 160 ± 10 C 90</p> <p>2.R : 245 ± 5 °C 2 ±</p> <p>0.5</p> | T 95% |
|  | <p>1. (1 A 55H 10H) 60 :</p> <p>2. : 2 3</p> <p>3.A : 1.5</p> | L/L ₀ ± 5% N |
| S | <p>1.P : 100 G</p> <p>2.D : 11</p> <p>3.3 3</p> | |

| | | |
|----------|---|-----------------------|
| | | |
| T S | <p>1.R 100 : $(-55 \pm 2 \text{ C}, 30 \pm 3)$ → (R , 5) → $(+125 \pm 2 \text{ C}, 30$ $\pm 3)$ → (R , 5) 2.R : $48 + 4 / - 0$</p> | |
| H T R | <p>1.E T : $85 \pm 2 \text{ C}$ 2.A C : R 3.D : $1,000 + 4 / - 0$</p> | L/L ₀ ± 5% |
| H R | <p>1.E T : $60 \pm 2 \text{ C}$ 2.R H : 90 95% 3.A C : R 4.D : $1,000 + 4 / - 0$</p> | N |
| L T S | <p>1.S : $-55 \pm 2 \text{ C}$ $1,000 + 4 / - 0$</p> | |
| H T S | <p>1.S : $+125 \pm 2 \text{ C}$ $1,000 + 4 / - 0$</p> | |

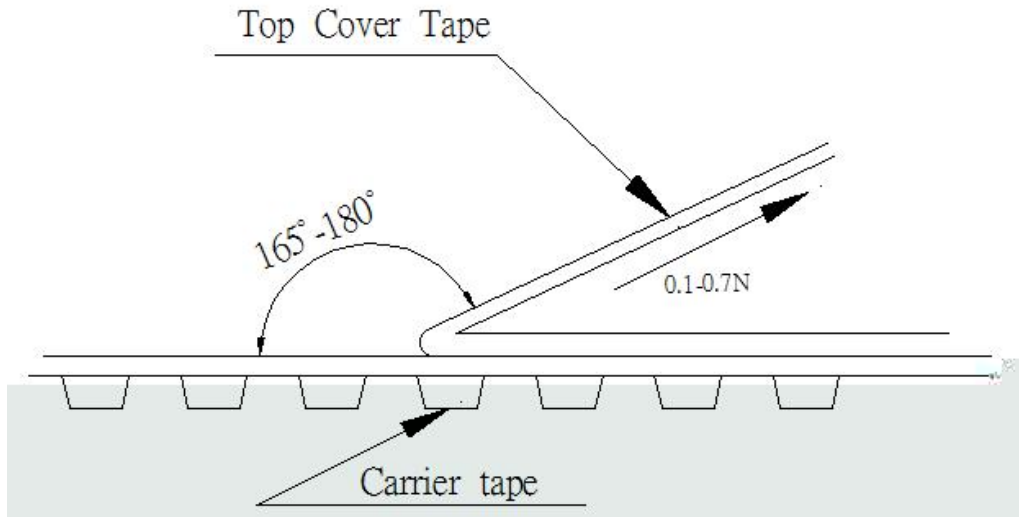


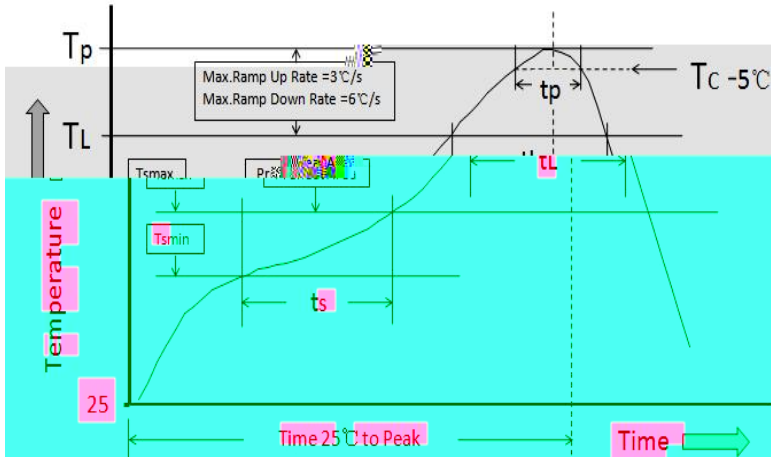
| | | | | | |
|-----------|-----------|------------|-------------|-----------|------------|
| G | F | I | T | H | A |
| 4.5 ± 0.1 | 4.8 ± 0.1 | 2.5 ± 0.15 | 0.35 ± 0.05 | 8.0 ± 0.1 | 12 ± 0.2 |
| J | K | D | E | B | C |
| 1.5 ± 0.1 | 1.5 ± 0.1 | 2.0 ± 0.1 | 4.0 ± 0.1 | 5.5 ± 0.1 | 1.75 ± 0.1 |

| | | |
|------------|-----------|---|
| A | B | C |
| 12.5 ± 0.2 | 2.0 ± 0.2 | B |



- T 300 / .
- T 0.1 0.7 N.





| | | |
|------|-------|-------|
| | < | ≧ |
| <2.5 | 235°C | 220°C |
| ≧2.5 | 220°C | 220°C |

| | | | |
|---------|-------|-------|-------|
| | < | | |
| <1.6 | 260°C | 260°C | 260°C |
| 1.6-2.5 | 260°C | 250°C | 245°C |
| >2.5 | 250°C | 245°C | 245°C |

| | | | |
|---|------|------------|-----------|
| | | | |
| P | S | T (T) | 100°C |
| | | T (T) | 150°C |
| | | T ():T T | 60-120 S |
| A | | TL T | 3°C/S M . |
| L | | (TL) | 183°C |
| T | | (L) | 60-150 S |
| P | | (T)* | T 1 |
| T | | (T)** 5°C | 20 ** |
| | | (T) | 30 ** |
| A | | T TL | 6°C/S M . |
| T | 25°C | P T | 6 M M . |
| | | | 8 M M . |

*T (T)

** T ()

● 3,000 /

➤ P A C
T

, - - , .T ,
, ,

/ , , .

➤ T R
T

.I

➤ D S
D

➤
T

➤ P
I

.P

➤ D
P

➤ N
T

(, ,) ..TDG H C .,L .

.I ,